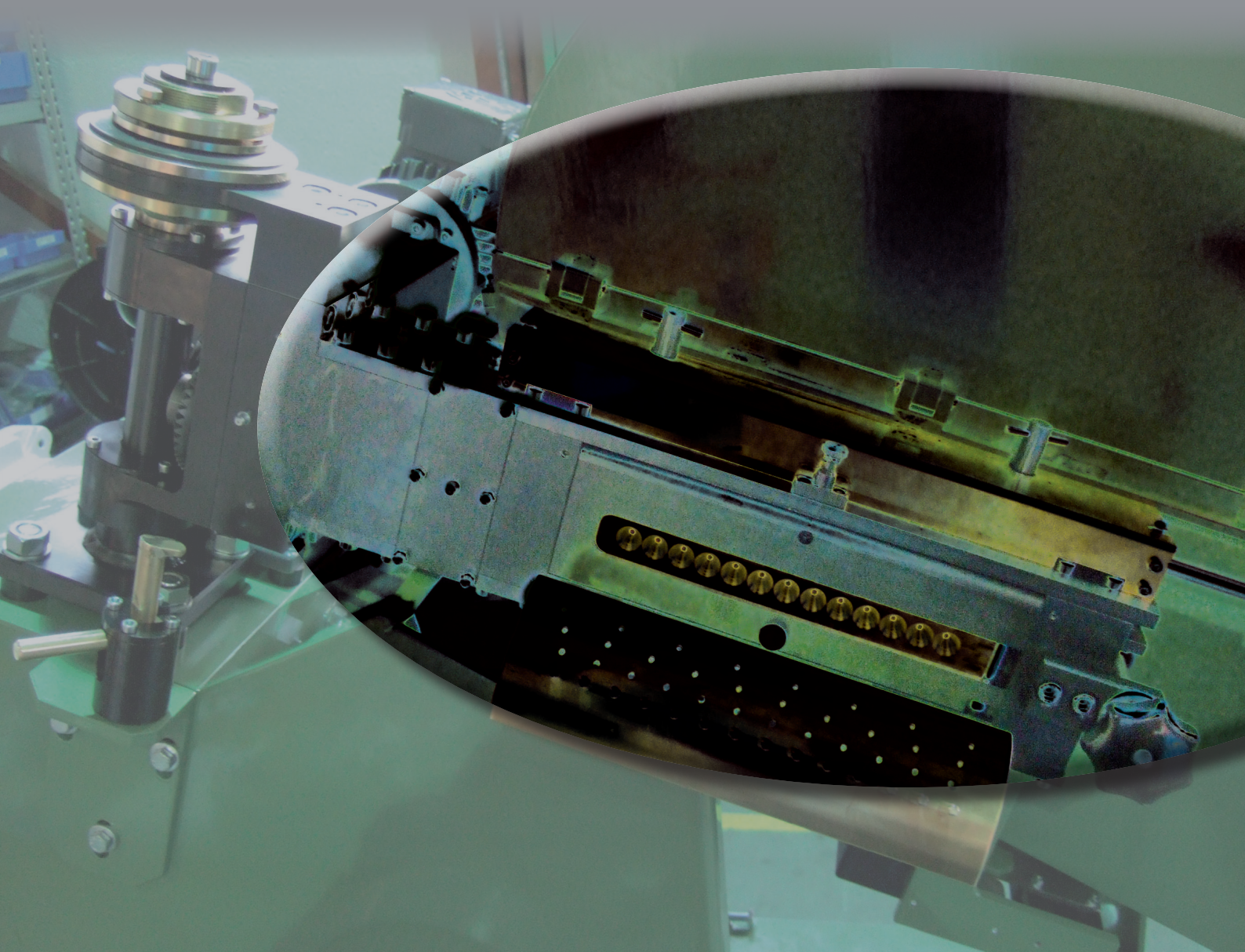


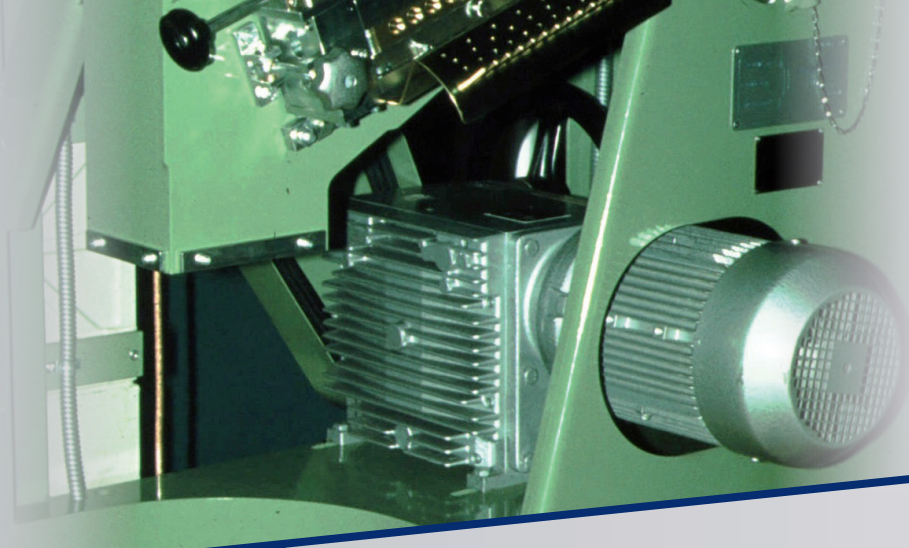
**bowas**ag

# ROTARY CUTTING MACHINE

TYPE 297

FOR DISCONTINUOUS OR CONTINUOUS CUTTING  
OF STANDARD STRANDS TO GRAINS





## **ROTARY CUTTING MACHINE TYPE 297**

This machine is suitable for cutting propellant strands ranging from approx. 2 to 20 mm in diameter.

The cutting unit consists of an infinitely adjustable cutter wheel drive with frequency inverter and explosion-proof electric motor. The cutter wheel is equipped with 2 or 4 knives.

The drive of the transport rollers for the strands is also equipped with an explosion-proof motor infinitely adjustable by frequency inverter. The length and capacity of the cut pieces can be set by the control device.

Each strand diameter recommends a separate set of strand guides. The total number of strands introduced into these guides depends on the strand diameter and varies as follows:

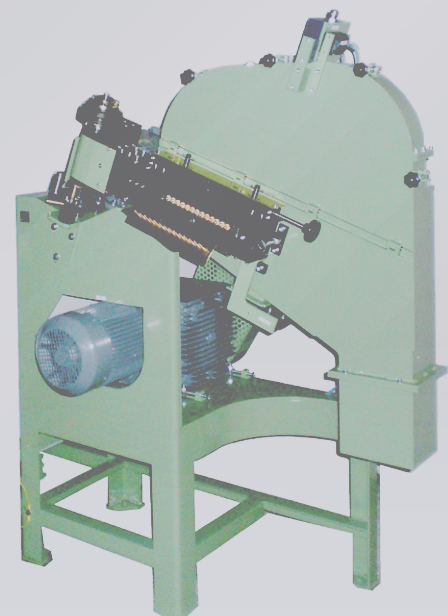
For example:

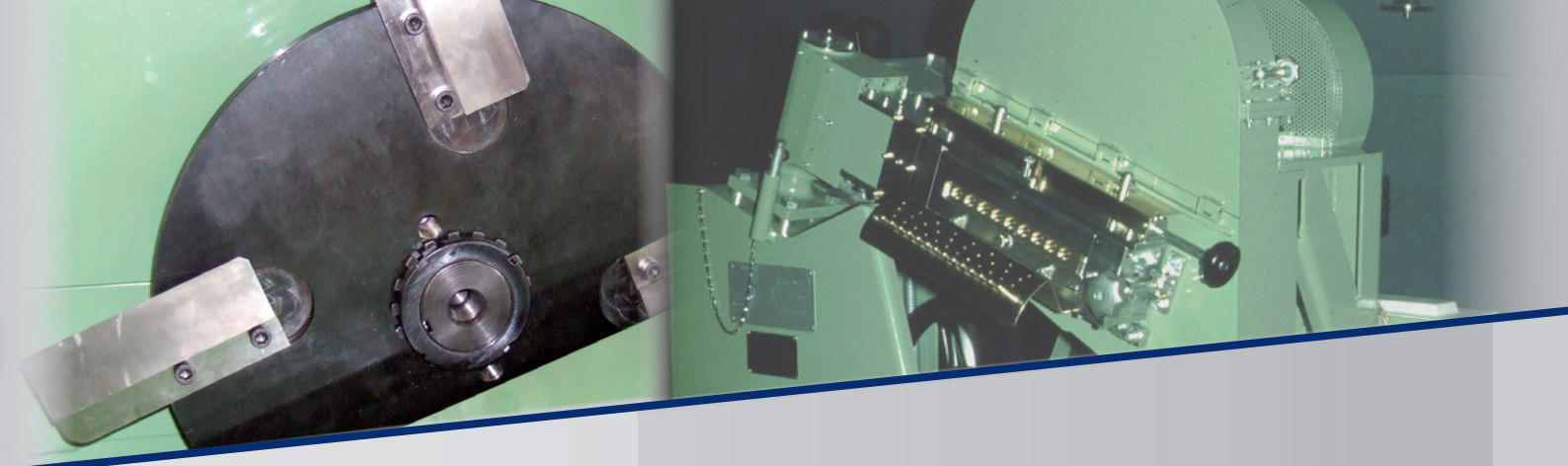
- 15 strands Ø 2 mm
- 7 strands Ø 20 mm

The switch-cabinet has to be installed outside of the hazardous zone. For the connection between switch-cabinet and cutting machine 15 m cables are provided.

### **Safety Devices**

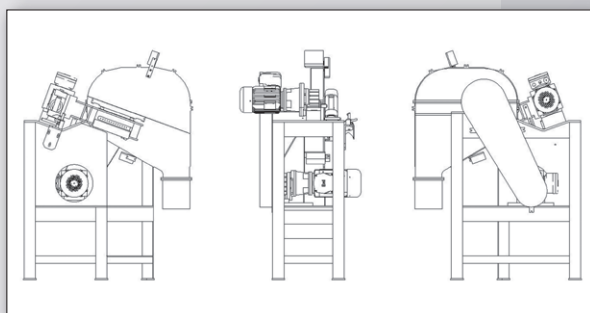
- Emergency Stop on the machine
- Water inlet (for optional fire fighting device)
- Safety locks
- Temperature control knife wheel housing
- Explosion protected ATEX II D Ex tb III C T 135° GB/ II G Ex de II c T4





**Technical Data** Rotary Cutting Machine Type 297


Strands diameter	2 - 20 mm
Cutting length	2 - 50 mm
Capacity	approx. from 100 to 150 kg/h depending on the type and condition of propellants
	for example: the multi-tubular strands of 4,85 mm diameter and cutting length of 9,5 mm = approx.140 kg/h (this measure was taken with strands which were coiled in buckets)
Power consumption	approx. 5 kW
Power supply	400 V - 50/60 Hz - 3 phases
Dimension (L x W x H)	approx. 1000 x 1000 x 1500 mm
Weight	approx. 500 kg





---

Bowas AG für Industrieplanung  
Industriestrasse 13b · CH-6300 Zug

 +41417112722

Fax +41417110817

e-mail: [office@bowas.ch](mailto:office@bowas.ch)